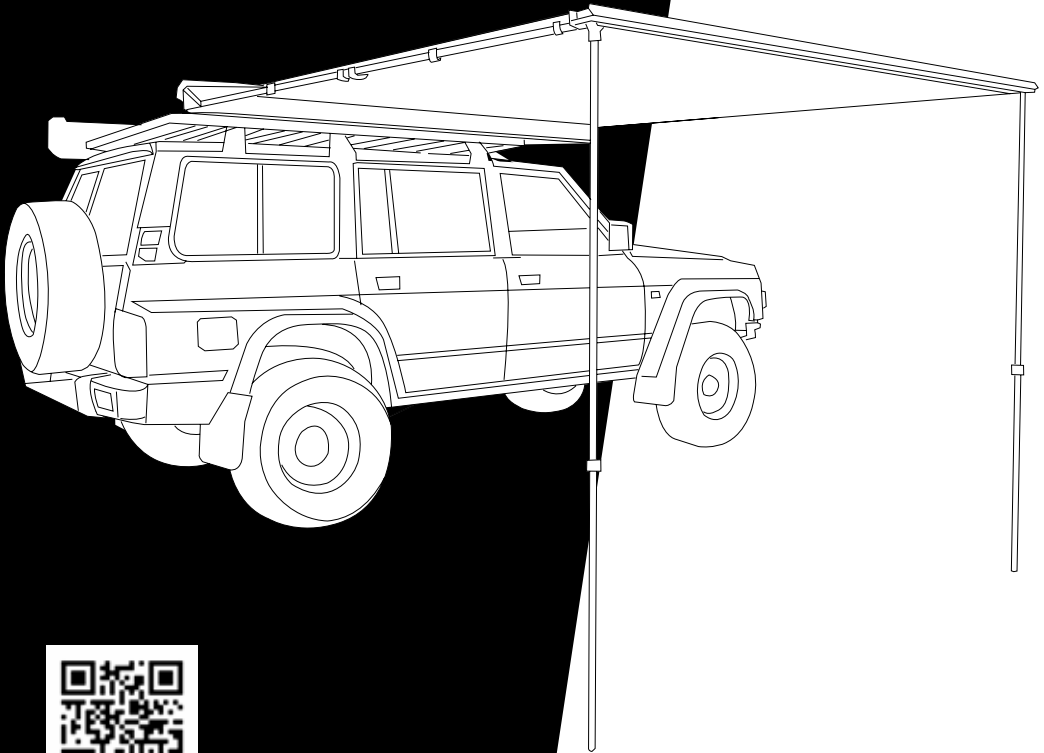


IRONMAN 4x4

DELTA WING AWNINGS

Deltawing 90° Awning Owner's Manual

3
YEAR
WARRANTY



IMPORTANT: Please read all procedures and precautions before using this Ironman 4x4 Product.
If you have any questions please contact our customer service department.

Safety Warnings

WARNING

Incorrect installation or use of your awning could result in serious injury or death. Please follow these instructions carefully to ensure proper installation on your vehicle and correct operation.

We recommend contacting your vehicle or accessory manufacturer for specified load capacity of your roof and roof rack. Not all factory or aftermarket roof racks or bars can safely accommodate all rooftop accessory additions.

Accessory inclusions such as awnings can change normal vehicle handling. Ironman 4x4 disclaims all responsibility in case of accident due to incorrect installation, improper use or maintenance and infrequent review of fasteners tensions.

INSPECTIONS

All bolts and fixings associated with the installation of an awning or pivot arm to mounting brackets **MUST BE** secure and not loose prior to installation or after use.

- If left unchecked this may result in some cases where bolts could work loose, causing the awning arm to improperly deploy, resulting in incorrect operation and/or failure of the product.
- Regular inspection of all mounts and fixings is recommended to ensure continuous, correct operation. Prolonged use on rough and corrugated terrain will require more regular inspections.

STRUCTURAL INTEGRITY:

The Deltawing Awning is self-supporting and designed for general camping under normal conditions. We recommend the supplied poles and guy ropes are used to provide additional support at the end of each arm when in use.

- This awning is designed to be used during calm conditions. Avoid setting up in strong winds.
- In windy or stormy conditions always ensure guy ropes are secured and anchored correctly.
- To avoid the chance of damage or injury, we recommend your awning should not be erected during windy conditions. Damage caused by incorrect installation or operation during adverse weather conditions will not be covered by warranty.
- Failure to follow these instructions may result in serious personal injury, damage to equipment or vehicles and negate any warranty claim.

SAFETY WARNING

- KEEP ALL FLAME AND HEAT SOURCES AWAY FROM AWNINGS AND WALL MATERIALS. UNDER NO CIRCUMSTANCE SHOULD ANY NAKED FLAME SOURCES OR HEATING DEVICES BE USED INSIDE OR NEAR AN AWNING.
- DO NOT USE ANY FUEL BURNING DEVICE INSIDE OR UNDER AN AWNING. ALWAYS KEEP THE EXIT CLEAR.

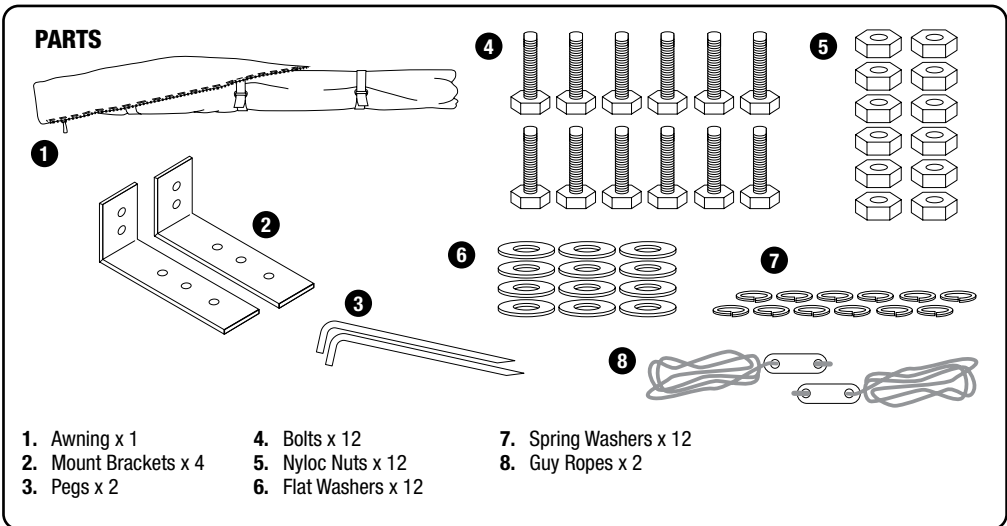
Notes and Parts

DELTA WING 90° AWNING

Congratulations on your purchase of the Ironman 4x4 Deltawing 90° Awning.

Your awning is designed to be mounted directly to your roof rack or aftermarket roof bars and can be set up in just a few minutes.

Deltawing Awnings are made using the best possible materials and construction methods, providing excellent protection from the elements.



CLEANING AND STORAGE

- Use cold water with a soft bristle brush, **DO NOT** use soaps, bleaches, or any other abrasive cleaners as this may result in damage to the fabric.
- Avoid storing your awning and walls when wet or damp. If conditions dictate that you have to, open and dry out as soon as possible to avoid moisture damage.

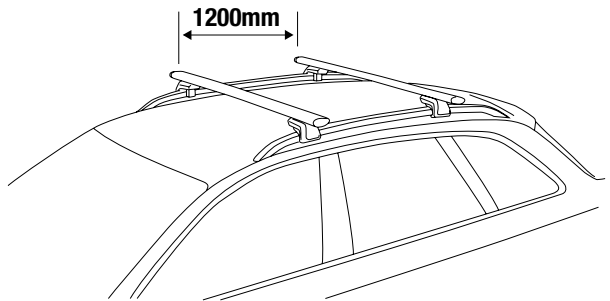
Locating Awning on Your Vehicle

We recommend your awning is assembled and installed by two (2) persons, further recommendations would be to have your awning installed by an experienced 4x4 accessory installer.

The awning brackets supplied have been designed to fit the most common configurations of roof racks and rail systems, however due to the ever-increasing variations being offered by vehicle and accessory manufacturers, it cannot be 100% guaranteed that these will fit all available options.

We recommend speaking with your roof rack specialist for further advice or recommendations on the best system for your requirements.

ENSURE the minimum spacing between the mounting brackets is 1200mm to allow the awning to be supported correctly and weight is evenly distributed.



Step 1:

Insert and slide bolt heads into the backing plate track.

Step 2:

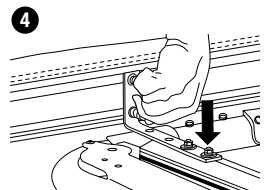
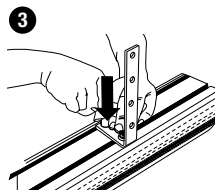
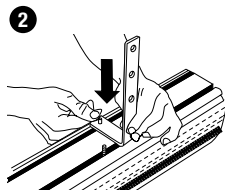
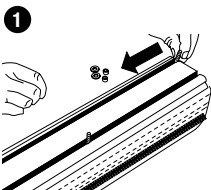
Align short leg of bracket holes over the bolts.

Step 3:

Attach washers and loosely secure in place using Nyloc nuts.

Step 4:

Slide brackets along the backing plate track to the desired position and mount to the vehicle using washers and Nyloc nuts. Tighten all nuts.



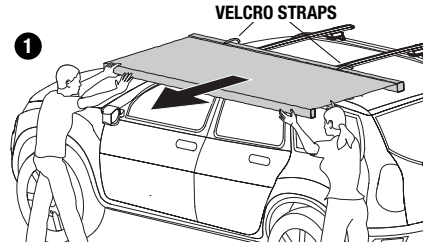
Setting Up Your Awning

Step 1:

Unzip the protective cover and fold back from the awning.

Undo the Velcro straps and release the fabric.

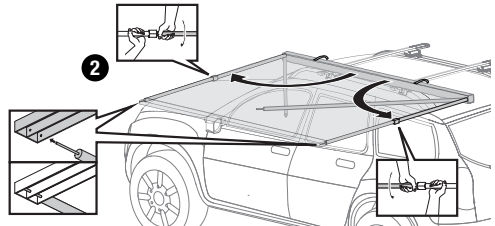
Take note of how the fabric is layered. This will assist with pack up.



Step 2:

Swing the horizontal poles out from the awning body located closest to the vehicle. Insert the long spigot into the extrusion at the end of the awning.

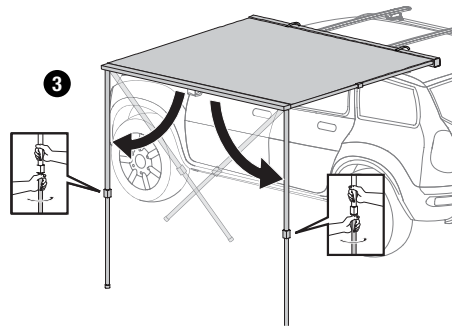
Grip the pole on either side of the plastic cam lock twisting in opposing directions to lock the pole length in place.



Step 3:

Swing the horizontal support poles down from the end located furthest from the vehicle.

Adjust height to suit and grip each pole on either side of the plastic lock and twist in opposing directions to lock the pole height in place.

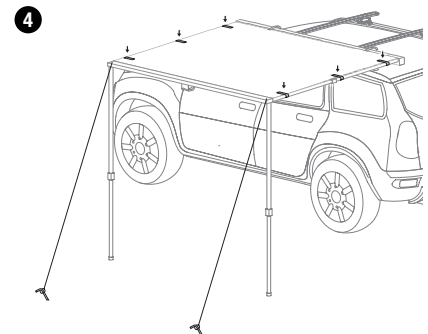


Step 4:

Secure the fabric to the horizontal poles with the Velcro strips. These are located along the length of the awning.

Attach Guy Ropes if required and secure firmly in the ground using the supplied pegs.

In the event of rain, we recommend adjusting the support pole height to create a slight slope away from the vehicle.



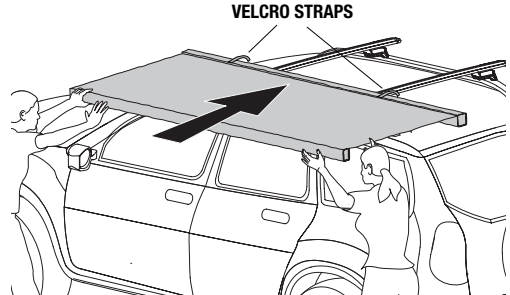
Packing up Your Awning

If time permits, allow the awning material to fully dry out before packing away. If this is not possible, we strongly suggest setting the awning up again to thoroughly dry out before any long-term storage to prevent damage to the material and mechanisms.

Remove Guy Ropes and pegs from support poles and pack away.

Release the tension on the plastic cam locks and collapse the support poles, swinging back into the awning end farthest from the vehicle, locking into place.

Undo Velcro strips securing horizontal poles to the material and release the tension on the plastic cam locks. Collapse and swing the horizontal arms back to the awning main body and secure in place.



Carefully and tightly roll the awning material back towards the main body, reversing the set up procedure and secure in place with Velcro straps.

Refit cover over the entire unit and zip up. Be careful not to catch the awning material in the zip.

WARRANTY

The offered 3 year warranty is limited to manufacturing and material defects. Not including; damage caused by misuse or abuse, wear and tear, condensation, extreme weather, accidents, incorrect set up, damage caused by being stored whilst damp. It also excludes broken poles and damage caused by a jammed, snagged zipper or excessive force applied to a zipper, causing failure.

This product is not designed to be used as a permanent shelter or used in commercial applications. As such, any claims for warranty may be reviewed subject to the conditions of use and appearance when presented.



IMPORTANT INFORMATION

Ironman 4x4 is not liable for any or accident that may occur as a result of non-compliance with these instructions, modifications made to any part, or the use of any parts other than manufacturer original parts.

The warnings, cautions and instructions for use contained in this document cannot cover every possible situation, so it is understood by the operator that common sense and caution must be applied. It is your responsibility to pass these instructions on to any third party who uses this product, including second-hand sales.