



DeltaWing 270° XTR-143 Awning Owner's Manual



IAWN270L012
IAWN270R012

IMPORTANT: Please read all procedures and precautions before using the Ironman 4x4 DeltaWing 270° XTR-143 Awning. If you have any questions please contact our customer service department.

www.ironman4x4.com

www.ironman4x4america.com

Features

DELTA WING 270° XTR-143 AWNING

Congratulations on your purchase of the Ironman 4x4 Deltawing 270° XTR-143 Awning. Your awning is designed to be mounted directly to your roof rack or aftermarket roof bars and opens and is fully setup in just a few minutes. The Deltawing 270° XTR-143 Awning is made using the best materials and construction methods that will provide excellent protection from the elements.

WARNING

Incorrect installation or use of your awning could result in serious injury or death. Please follow these installation instructions carefully to ensure proper installation on your vehicle.

It is recommended that you contact your vehicle or accessory manufacturer for specified loading capacity of your roof rack. Unfortunately, not all factory roof racks, or after market roof bars can safely accommodate all models.

Accessory inclusions, such as awnings can change the normal vehicle handling & the manufacturer disclaims all responsibility in case of accidents due to improper use, improper maintenance, or checking the tightness of the brackets regarding the installation of the roof rack system.

INSPECTIONS: It is recommended that all bolts and fixings associated with the mounting of the awnings and pivot arms to the mounting brackets are secure and are not loose prior to installation or after use.

- If left unchecked this may result in some cases where the bolts could work loose causing the awning arm not to deploy correctly and result in incorrect operation or failure of the product.
- Regular inspection of all mounts and fixings is recommended to ensure correct and ongoing operation. Prolonged use on rough & corrugated terrain will require more regular inspection.

STRUCTURAL INTEGRITY: The Deltawing 270° XTR-143 Awning is Self-Supporting and is designed for general camping under normal conditions and is recommended that the supplied guy ropes are used to provide additional support at the end of each arm.

- To avoid the chance of damage or injury it is recommended that the awning should not be erected during windy conditions. Damage caused by incorrect installation or adverse weather conditions will not be covered by warranty

CLEANING & STORAGE

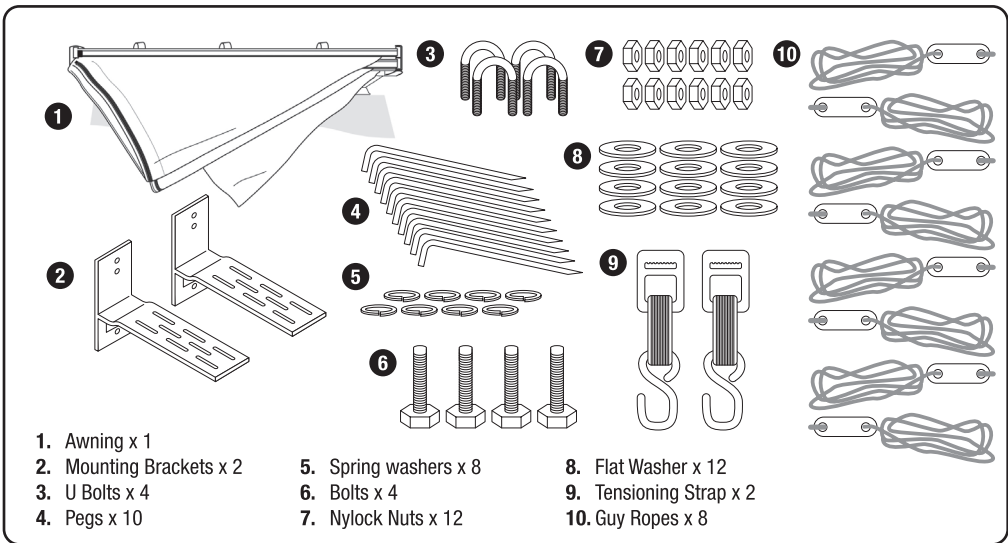
- Use cold water with a soft bristle brush, **DO NOT** use Soaps, Bleaches, or any other abrasive cleaners as this may result in damage to the fabric.
- Avoid storing your awning & walls when wet. If conditions dictate that you do, open, and dry out as soon as possible to avoid moisture damage.

SAFETY WARNING

- KEEP ALL FLAME AND HEAT SOURCES AWAY FROM THE AWNING & WALL MATERIALS. UNDER NO CIRCUMSTANCE SHOULD ANY NAKED FLAME SOURCES OR HEATING DEVICES BE USED INSIDE OR NEAR THE AWNING
- DO NOT OPERATE ANY DEVICE WHICH BURNS FUEL INSIDE. KEEP EXIT CLEAR.



Parts



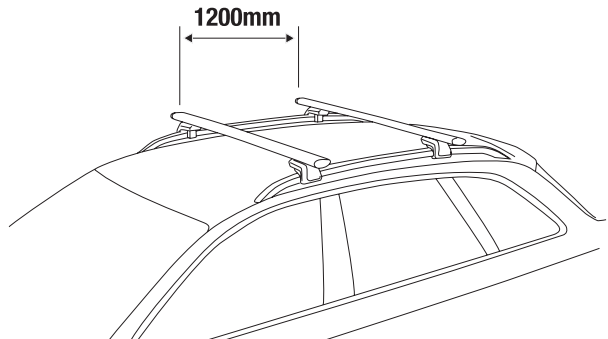
Locating 270° Awning on your Vehicle

It is recommended that the awning is assembled and installed by two (2) persons and further recommendations would be to have the awning installed by an experienced 4x4 accessory installer.

The awning brackets supplied have been designed for fit the most common configurations of roof racks and rail systems, however due to the ever-increasing variations being offered by vehicle and accessory manufacturers it cannot be 100% guaranteed that these will fit all available options.

It is recommended that you speak to your roof rack specialist for further advice or recommendations on the best system for your requirements.

ENSURE that the minimum spacing between the mounting brackets is to be 1200mm to allow the awning to be supported correctly and the weight is evenly distributed.



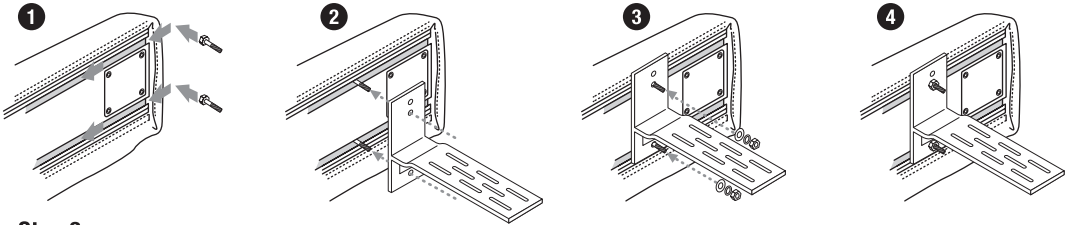
Locating Tent on your Vehicle

Step 1:

Detach the PVC cover at each end of the awning and insert the bolts into the backing plate and reattach the end covers.

Step 2:

Position and attach the brackets in the required position using the Nylock nuts and washers then tighten.



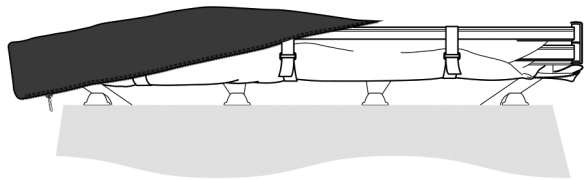
Step 3:

Mount to the vehicle using the U Bolts, Nylock nuts & Washers.

Assembly

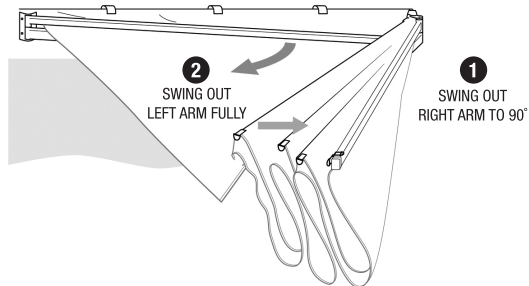
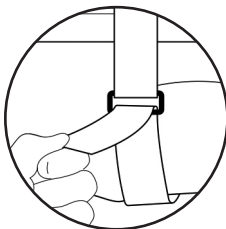
Step 1:

Unzip the protective cover and fold back from the awning.



Step 2:

Undo the three supporting straps and release the fabric, take note of how the fabric is layered to assist with pack up.

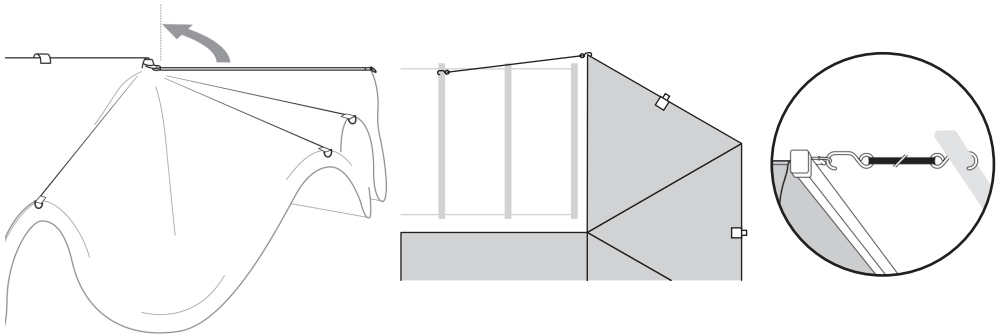




Assembly

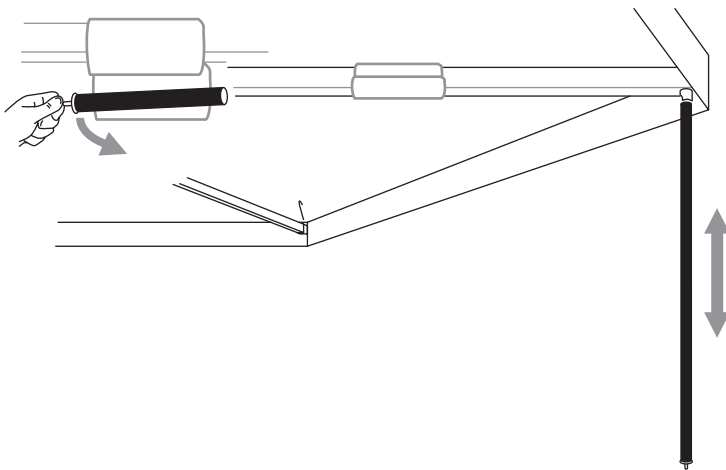
Step 3:

Swing the arms away from the awing until the fabric is fully extended towards the front & rear of the vehicle, use the Tensioning strap to secure the awning in position at the front & rear of the vehicle.



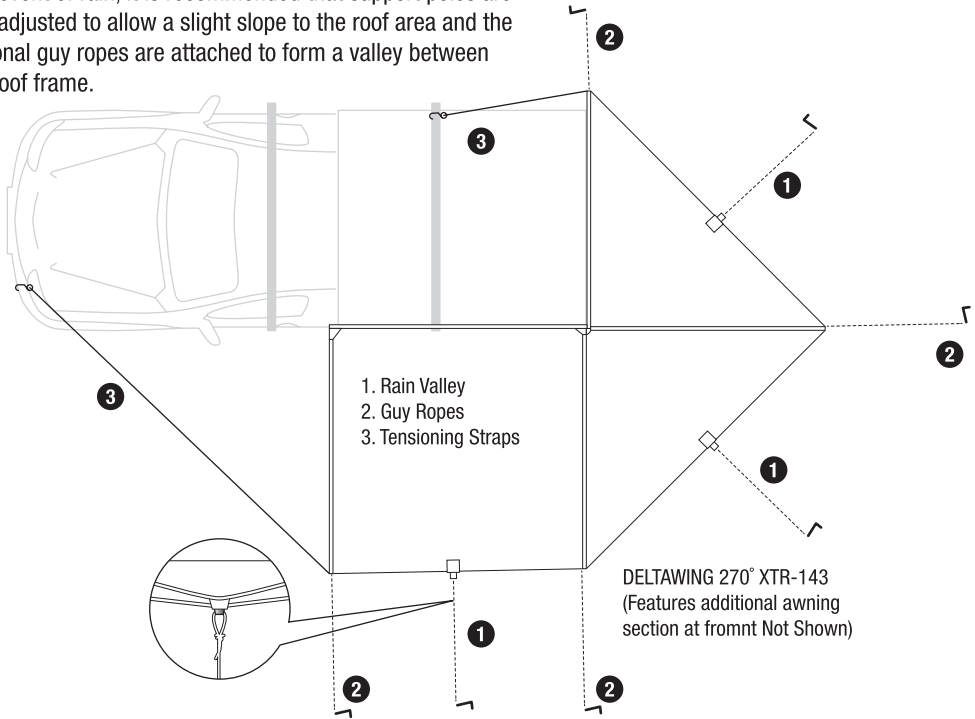
Step 4:

If being used in adverse weather conditions or if additional stability is required, release the support poles secured to the roof frame and adjust the pole height to the ground and attach the guy-ropes & pegs.



Assembly

In the event of rain, it is recommended that support poles are height adjusted to allow a slight slope to the roof area and the additional guy ropes are attached to form a valley between each roof frame.



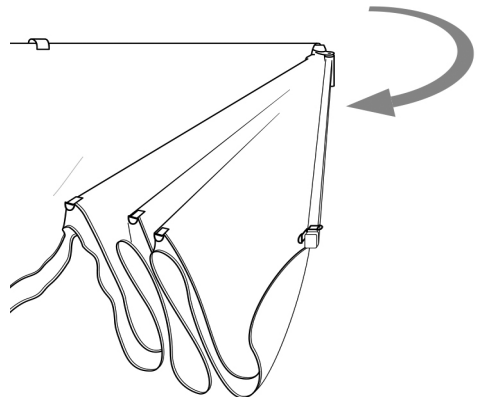
Pack Up

Step 1:

Release and remove all guy ropes, pegs and return the support poles to the roof frame.

Step 2:

Release the tensioning strap and fold each arm towards the awning board, checking that all fabric is falling towards the ground and is not bunching up.

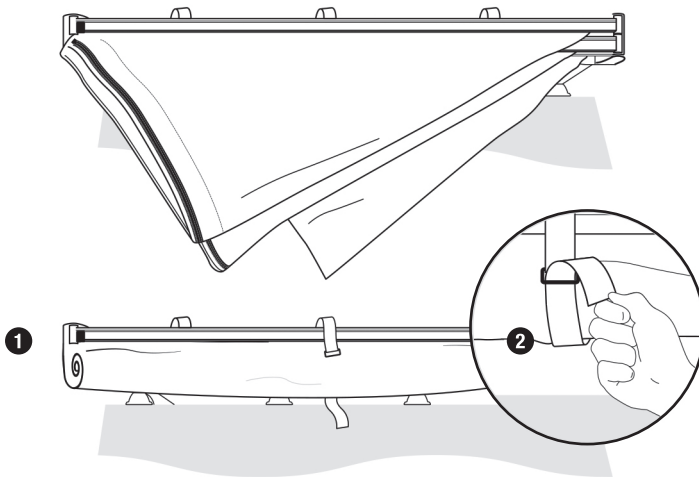




Pack Up

Step 3:

The fabric should now be draped in a triangle shape, grab the fabric at the point of the triangle and role towards the top of the awning then secure with the straps. Position the PVC cover over the fabric and zip up.



USING OPTIONAL WALL KITS

IMPORTANT: Support Poles & Guy ropes must be in place when fitting wall kits, failure to do so will result in damage to your awning.

Lay out the walls and locate where you require the door or window to be located, attach the Velcro at the top of the walls to the Velcro on the inside of the awning roof. Secure to the ground using the supplied guy ropes & pegs.

It is recommended that wall kits are not installed during windy or adverse weather conditions as these may cause damage.



I\WIN270L012 - I\WIN270R012\040222